



Residential Elevator

Taking your home to the next level



Add a touch of luxury to suit your lifestyle

with a Residential Elevator, the latest in premium home access



Images for guidance only

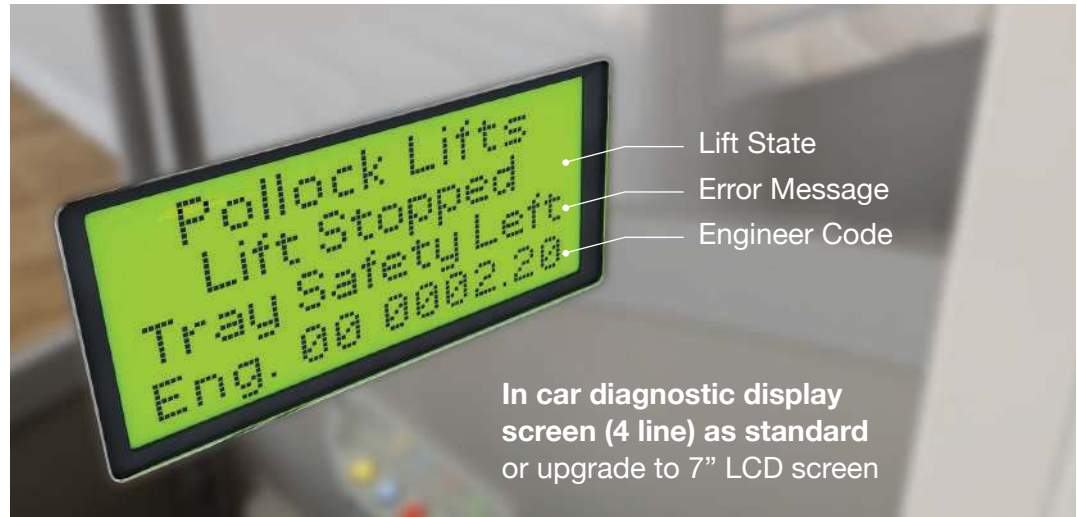
Travel in style and with ease within your home with our elegant Residential Elevator, and enjoy where you live both now and in the future.

Providing smooth and quiet through-floor travel, the elevator includes external controls on both floors, and is equipped with our new **Intelligent Logic Diagnostic Display** offering a wealth of benefits to the user.

Quick and easy to install, the lift is located close to the wall but is not attached to the wall. When the lift is not in the room you can enjoy all of your living space - an impressive addition to any home.

UNIQUE TO
POLLOCK LIFTS

Intelligent Logic Diagnostic Interface



In car diagnostic display screen (4 line) as standard or upgrade to 7" LCD screen

Pollock Lifts, operating since 1983, are Ireland's only Residential Elevator manufacturer and the ultimate choice for adding value to home access through the latest technology.

Our innovatory digital control system brings a wealth of benefits not only for end users but also for installers and service engineers with easier installation process, simplified servicing and reduced fault finding.

From installation to operation, every detail has been designed with you in mind.



Trip Counter

tracks number of travel cycles throughout lift lifespan



Service Due Indicator

with overdue notification ensuring regular maintenance



Lift Fault Memory Log

on board system for service engineers



Fault Source Identified

enabling simple issues to be fixed over the phone



Self-check Safety

prior to commissioning for extra safety assurance



Lift Deactivation System



Bluetooth option

to operate lift remotely using your phone



Voice Activation option

for **Alexa** integration - get Alexa to call the lift for you

Features and options to make it your own

Configurations to suit your lifestyle

	Standard Features	Options
Traction Drive System		
Capacity	507lbs (230kg)	-
Rated Speed	16 fpm (0.08m/s)	Fast Motor - 30 fpm (0.15m/s)
Cabin Height	6' 2 13/16" (1900mm)	5' 10 7/8" (1800mm) or 6' 6 3/4" (2000mm)
Travel	13' 9 3/8" (4.2m)	Extended travel up to 15' 9" (4.8m)
Rail Guards	Transparent	-
1st Floor Fix	Ceiling Fix	Wall Fix
Emergency Battery Backup	Yes	-
Cabin Features		
Lift Color	RAL 7035	Custom Color
Vision Panels	3/16" (4mm) Acrylic	3/8" (10mm) Acrylic
Rear Side Panels	RAL 7042	Mirror or Custom
Flooring	Grey Anti-slip Vinyl	Marble or Oak effect vinyl, or Custom
LED Lighting	White	Color changing
Door Handrail	Yes	-
Cabin Handrail	No	Yes (RAL 7035), with or without controls
Tip-up Seat	No	265lbs (120kg) Tip-up Seat
Custom Finish	No	Price on Request
Operation		
Controls	Remote (radio)	Surface or Flush (wired)
Diagnostic Display	4 Line LCD	7" Color LCD
Door Operation	Manual	Powered
Emergency Telephone	Yes	Autodialler
Alarm	Yes	-

Choose the size option that works for you

Available in 3 sizes and 3 cabin heights, you can choose the configuration that best suits your requirements and room dimensions.

The Residential Elevator can be installed in any room, according to your desired travel within your home and room floor plans.



Compact
single person



Twin
two person



Large
extra cabin depth

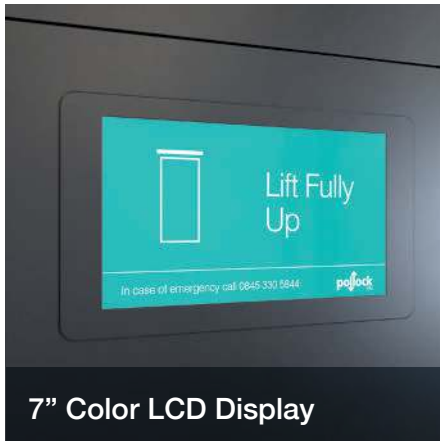


Cabin Heights
5' 10 7/8", 6' 2 13/16", 6' 6 3/4"

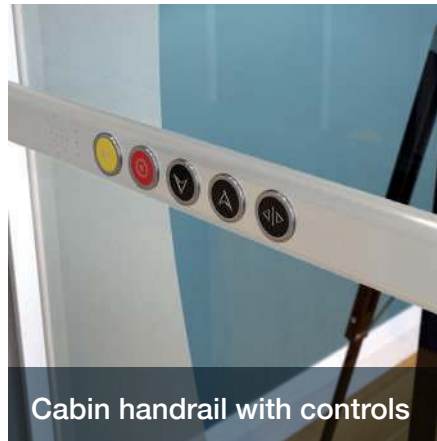
Control the lighting to suit your mood

Why only have white LED lighting when you can enjoy a full spectrum of lighting colors?

Select the optional color changing LED lighting with remote control.



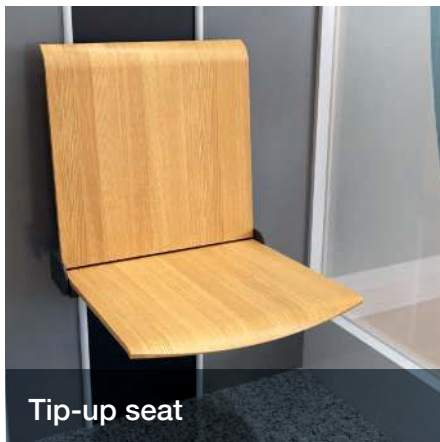
7" Color LCD Display



Cabin handrail with controls



In-car emergency telephone



Tip-up seat



Oak effect vinyl flooring



Shallow ramp - less than 1"

Enjoy the benefits of a Traction Drive system

Our Residential Elevator uses Traction Drive as standard to provide the most comfortable travel experience and installation and operational benefits.

- Soft start/stop
- Quieter travel
- Self-contained unit
- Smaller footprint
- Higher travel distance
- Less expensive to run
- Environmentally friendly

“

We love our Residential Elevator. Quiet and stylish - we were able to choose colors that perfectly matched our decor and the service from Pollock Lifts was outstanding.

”

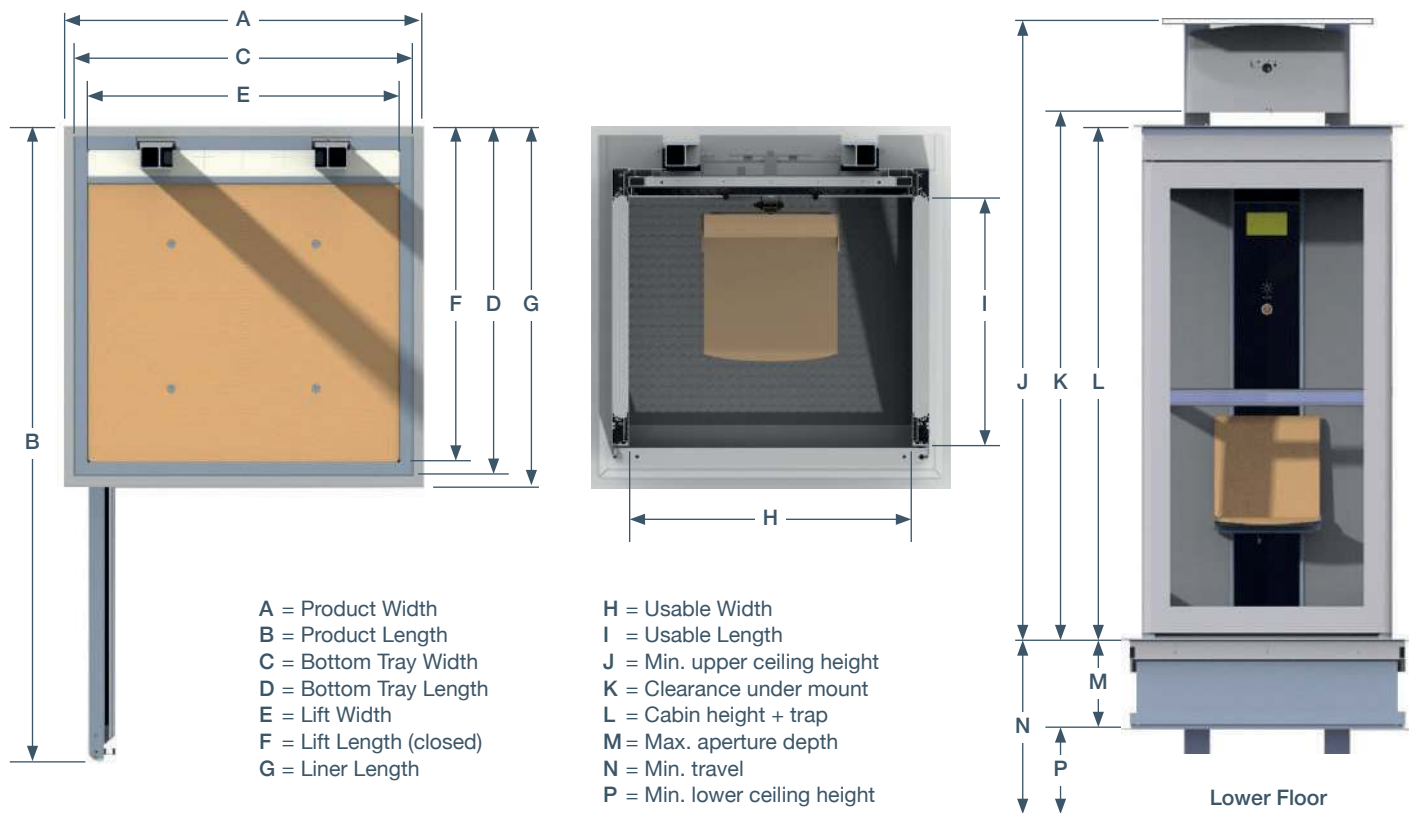
Technical Specifications

Traction Drive

Application	Private use by ambulant and non-ambulant users
Lift Safe Working Load	507lbs (230kg)
Trapdoor Safe Working Load	507lbs (230kg)
Cabin Head Height	5' 10 ⁷ / ₈ " (1800mm), 6' 2 ¹³ / ₁₆ " (1900mm), or 6' 6 ³ / ₄ " (2000mm)
Minimum Platform (w)x(l)	1' 9 ⁵ / ₁₆ " (542mm) x 2' 5 ¹ / ₂ " (750mm)
Minimum Footprint (w)x(l)	2' 7 ¹ / ₈ " (790mm) x 3' 7 ¹ / ₄ " (1098mm)
Maximum Platform (w)x(l)	2' 9 ⁷ / ₁₆ " (850mm) x 4' 1 ³ / ₁₆ " (1250mm)
Maximum Footprint (w)x(l)	3' 7 ¹ / ₄ " (1098mm) x 5' 2 ¹⁵ / ₁₆ " (1598mm)
Maximum Travel	13' 9 ³ / ₈ " (4.2m)
Optional Extended Travel	up to 15' 9" (4.8m)
Rated Speed	16 fpm (0.08m/s)
Optional Fast Motor Rated Speed	30 fpm (0.15m/s)
Noise db (1m / 5m)	55 / 50
Power Supply	110V Power Kit
Electrical Requirements	Dedicated RCD protected supply
Low Voltage Operating System	24DV (Battery driven - do not disconnect from mains for extended periods)
Motor Size	110V 0.75kW
Optional Fast Motor Size	240V 2.2kW
Duty Cycle	10 cycles/hour
Operating Temperature Range	14°F to 104°F (-10°C to +40°C)
Safety	Sensitive cap, bottom tray and trapdoor. Overspeed and brake.
Lifting Mechanism	Rope suspension system
Design & Manufacturing Standard	ETL Approved to ASME 17.1 and 17.5, and CSA B44.1

Pollock Lifts seeks to continually improve its products; therefore the information in this brochure may be subject to change.

As part of our ongoing research and development the spec of the lift may change from time to time - unit shown is for guidance only. Final specification as per individual quotation.



Lift Footprint	A	B	C	D	E	F	G	H	I
1' 9 5/16" x 2' 5 1/2" (542mm x 750mm)	2' 7 1/8" (790mm)	5' 3 3/4" (1620mm)	2' 4 3/8" (720mm)	3' 5 7/8" (1063mm)	2' 1 1/4" (642mm)	3' 4 3/8" (1025mm)	3' 7 1/4" (1098mm)	1' 9 5/16" (542mm)	2' 5 1/2" (750mm)
2' 9 7/16" x 2' 5 1/2" (850mm x 750mm)	3' 7 1/4" (1098mm)	6' 3 7/8" (1928mm)	3' 4 1/2" (1028mm)	3' 5 7/8" (1063mm)	3' 1 3/8" (950mm)	3' 4 3/8" (1025mm)	3' 7 1/4" (1098mm)	2' 9 7/16" (850mm)	2' 5 1/2" (750mm)
2' 9 7/16" x 4' 1 3/16" (850mm x 1250mm)	3' 7 1/4" (1098mm)	7' 11 9/16" (2428mm)	3' 4 1/2" (1028mm)	5' 1 9/16" (1563mm)	3' 1 3/8" (950mm)	5' 1/16" (1525mm)	5' 2 15/16" (1598mm)	2' 9 7/16" (850mm)	4' 1 3/16" (1250mm)

Lift Height	J standard motor	J fast motor	K	L	M	N min	N max	P min
Traction 1.8m cabin	7' 5 15/16" (2285mm)	7' 10 7/8" (2410mm)	6' 6 1/16" (1982mm)	6' 5 1/16" (1957mm)	1' 5 11/16" (450mm)	6' 6 3/4" (2000mm)	13' 9 3/8" (4200mm)	6' 13/16" (1850mm)
Traction 1.9m cabin	7' 9 7/8" (2385mm)	8' 2 13/16" (2510mm)	6' 9 15/16" (2082mm)	6' 9" (2057mm)	1' 5 11/16" (450mm)	6' 10 11/16" (2100mm)	13' 9 3/8" (4200mm)	6' 4 3/4" (1950mm)
Traction 2.0m cabin	8' 1 13/16" (2485mm)	8' 6 3/4" (2610mm)	7' 1 7/8" (2182mm)	7' 15/16" (2157mm)	1' 5 11/16" (450mm)	7' 2 5/8" (2200mm)	13' 9 3/8" (4200mm)	6' 8 11/16" (2050mm)

Manufactured to the highest safety standards

All our lifts are compliant with international standards and quality requirements.



ETL Approved to
ASME 17.1 and 17.5, and CSA B44.1



Pollock Residential Elevators Inc
Florida, USA

E info@pollock-residentialelevators.com

www.pollock-residentialelevators.com

Pollock Lifts

1 Sloefield Drive
Trooperslane Industrial Estate
Carrickfergus
Co. Antrim, BT38 8GX
United Kingdom

T 028 9336 8167

E info@pollocklifts.co.uk

www.pollocklifts.co.uk

Pollock Homelifts

Suite 2+3 Temple Chambers
Russell Street
Keighley
West Yorkshire, BD21 2JP
United Kingdom

T 0800 472 5004

E info@pollockhomelifts.co.uk

www.pollockhomelifts.co.uk

US/Rev01/April2021

Brochure Design by The Design Factor, Belfast.