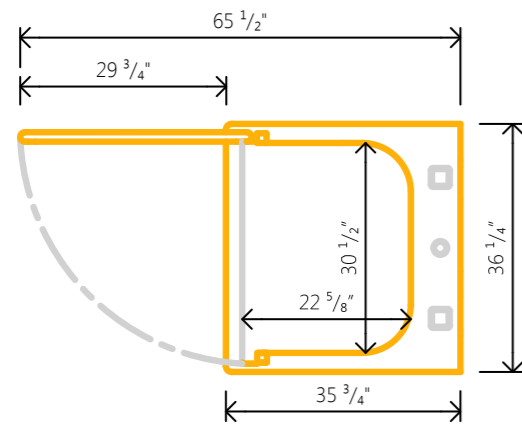
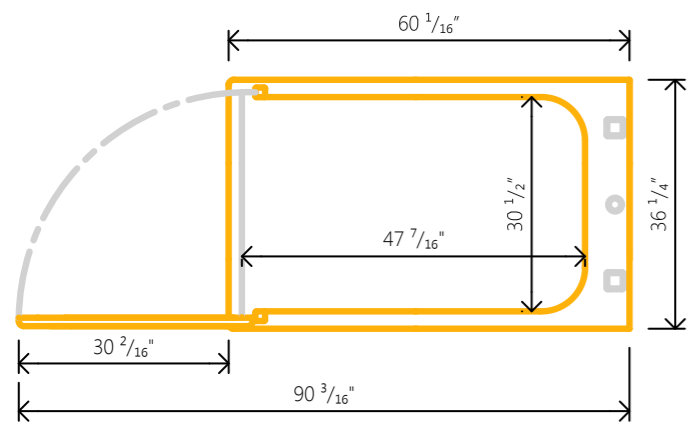


# Technical Details & Lift Footprints



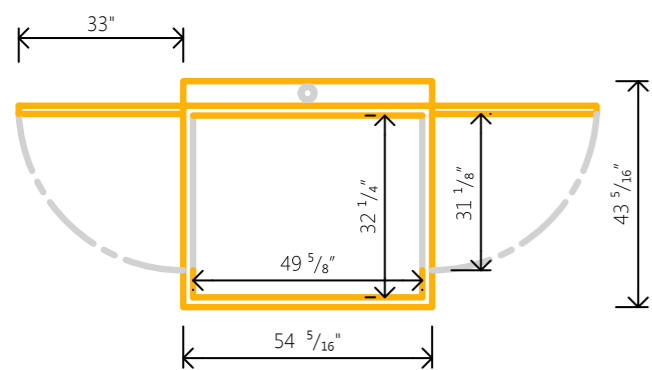
**▶ Elesse**

1-2 People	
Maximum Load	550 lbs
Maximum Travel	137 "
Usable Platform Dimensions	30 1/2" x 22 5/8"
Lift Footprint	36 1/4" x 35 3/4"



**▮ The VE36 2-4 people**

Maximum Load	550 lbs
Maximum Travel	137 "
Usable Platform Dimensions	30 1/2" x 47 7/16"
Lift Footprint	36 1/4" x 60 1/16"
Wheelchairs accessible	



**▣ The Liberty 3 sizes up 882 LBS**

Maximum Load	550 lbs
Maximum Travel	167 "
Usable Platform Dimensions	49 5/8" x 32 1/4"
Lift Footprint	54 5/16" x 43 5/16"
Clear Opening	31 1/8"
Larger 55 x 35	
Largest 55 x 43 for adjacent exit must use this size	
Wheel Chair Accessible	

## Home Lift Store

**Power Door:**  
Located discreetly at the top of the door.

**Trapboard:**  
The trapboard, dropping safely into position on its downwards journey, as required under ASME 17.1, provides not only a fully load bearing floor infill, but also a 30 minute 'Fire Seal' when parked at either landing (a unique safety feature to lifts of this type in the US).



**Safety Sensors:**  
Quickly brings the elevator to a halt if something is in the way of the lifts travel.

**Battery Backup Lighting:**  
Ensuring you won't get left in the dark in the event of a power outage. Set on a timer, they will turn off when the elevator has not been used for a while.

**Glazing:**  
Our VE has been designed to be as bright and as open as possible.

**Illuminated Push Button Controls:**  
Intuitive, power at your fingertips!

**Level Access (no pit):**  
The floor of the elevator is designed to allow things to be wheeled in and out of the elevator car, without a pit construction.

**Door Locking:**  
Our smart door interlocking system means the lift doors are kept safely closed when the lift is between floors.